

## INSTALLATION INSTRUCTIONS



Maxi Fire-Cryer Plus Voice Enhanced Sounder (Part Code FC3/D)

### General

A high-powered Voice Sounder designed for environments requiring a high volume output. Recommended applications include industrial buildings or large open spaces such as warehouses, factories or canteens.

Multi-message applications will additionally require the Voice Message Controller to enable full functionality.

### Specification

Tone Output (Max)	116dB(A) at 1 metre
Volume Adjustment	8dB
Nominal Current at 24Vdc	100mA Average/ 180mA Peak
Voltage Range	20Vdc - 28Vdc (24Vdc Nominal)
Ingress Protection	IP67 (Subject to fitting appropriate glands)
Cable entries	2x M20 (One entry located at rear of Product)
Terminals	0.5mm <sup>2</sup> - 2.5mm <sup>2</sup> cables
Operating Temperature	-10°C to +55°C

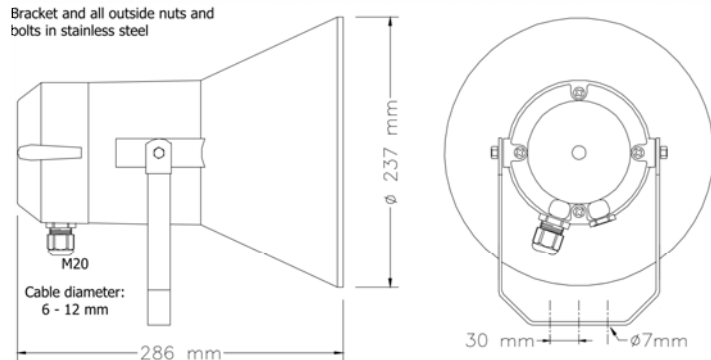
Note: Operating data based upon Vimpex Message Option A (Fire)

Current consumption may vary depending upon voice file used

### Installation, Message Selection & Volume Control

Loosen bracket screws so horn can be swiveled downwards and mount product to Building substrate. (Note: Mounting screws not supplied). Remove rear cover via four screws located around case taking care to ensure screws do not become dislodged and lost. Once product has been safely secured to wall, use appropriate entry Glands (One Gland supplied) prior to installing Cables. Connect field wiring as per diagram and ensure DIL Switches are configured correctly before re-securing cover back onto Sounder. Adjust horn to required angle and re-tighten bracket screws.

### Mechanical Information



## INSTALLATION INSTRUCTIONS



Maxi Fire-Cryer Plus Voice Enhanced Sounder (Part Code FC3/D)

### General

A high-powered Voice Sounder designed for environments requiring a high volume output. Recommended applications include industrial buildings or large open spaces such as warehouses, factories or canteens.

Multi-message applications will additionally require the Voice Message Controller to enable full functionality.

### Specification

Tone Output (Max)	116dB(A) at 1 metre
Volume Adjustment	8dB
Nominal Current at 24Vdc	100mA Average/ 180mA Peak
Voltage Range	20Vdc - 28Vdc (24Vdc Nominal)
Ingress Protection	IP67 (Subject to fitting appropriate glands)
Cable entries	2x M20 (One entry located at rear of Product)
Terminals	0.5mm <sup>2</sup> - 2.5mm <sup>2</sup> cables
Operating Temperature	-10°C to +55°C

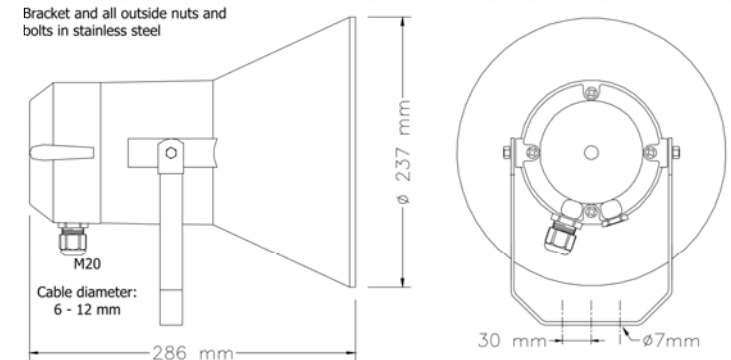
Note: Operating data based upon Vimpex Message Option A (Fire)

Current consumption may vary depending upon voice file used

### Installation, Message Selection & Volume Control

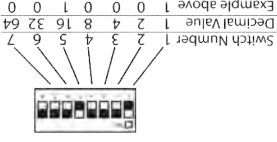
Loosen bracket screws so horn can be swiveled downwards and mount product to Building substrate. (Note: Mounting screws not supplied). Remove rear cover via four screws located around case taking care to ensure screws do not become dislodged and lost. Once product has been safely secured to wall, use appropriate entry Glands (One Gland supplied) prior to installing Cables. Connect field wiring as per diagram and ensure DIL Switches are configured correctly before re-securing cover back onto Sounder. Adjust horn to required angle and re-tighten bracket screws.

### Mechanical Information



**INSTALLATION INSTRUCTIONS**

Maxi Fire-Cryer Plus Voice Enhanced Sounder (Part Code FC3/D)



Message Selection* Switch 4	Switch 5	Switch 6	Message 1	Message 2	Message 3	Message 4	Message 5	Message 6	Message 7
OFF	OFF	OFF	OFF	OFF	ON	OFF	OFF	OFF	ON
OFF	OFF	OFF	OFF	ON	ON	OFF	OFF	OFF	ON
OFF	OFF	OFF	OFF	ON	ON	OFF	OFF	OFF	ON
OFF	OFF	OFF	OFF	ON	ON	OFF	OFF	OFF	ON
OFF	OFF	OFF	OFF	ON	ON	OFF	OFF	OFF	ON
OFF	OFF	OFF	OFF	ON	ON	OFF	OFF	OFF	ON

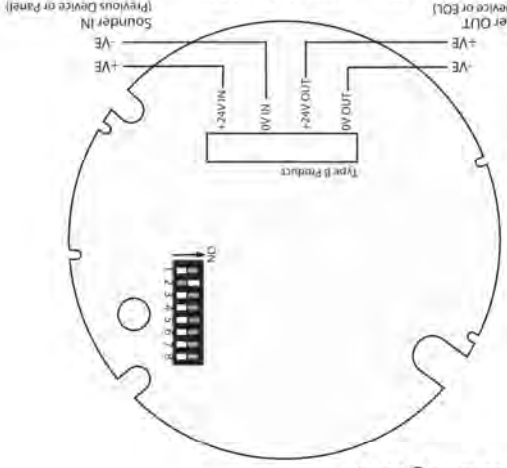
**Message Selection**

Note: Switches 3, 7 and 8 are not used and must be set to OFF position.

\*If used in conjunction with VM/C/xx/xx/05 then set product for 'Multi-Message Use' then set product for 'Multi-Message Use' upon DIL switch combination.

Volume Setting	Switch 1	Switch 2	0dB (Max Vol)	ON
-2dB	OFF	OFF	-2dB	OFF
-5dB	ON	ON	-5dB	ON
-8dB (Min Vol)	ON	ON	-8dB (Min Vol)	ON

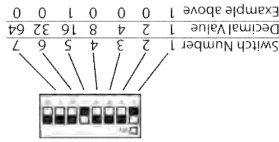
**Connection Diagram**



Vimpex Limited  
Star Lane, Great Wakering  
Essex SS3 0PJ  
England  
Tel: +44(0) 1702 216 999  
Email: sales@vimpex.co.uk  
web:www.vimpex.co.uk

**INSTALLATION INSTRUCTIONS**

Maxi Fire-Cryer Plus Voice Enhanced Sounder (Part Code FC3/D)



Message Selection* Switch 4	Switch 5	Switch 6	Message 1	Message 2	Message 3	Message 4	Message 5	Message 6	Message 7
OFF	OFF	OFF	OFF	OFF	ON	OFF	OFF	OFF	ON
OFF	OFF	OFF	OFF	ON	ON	OFF	OFF	OFF	ON
OFF	OFF	OFF	OFF	ON	ON	OFF	OFF	OFF	ON
OFF	OFF	OFF	OFF	ON	ON	OFF	OFF	OFF	ON
OFF	OFF	OFF	OFF	ON	ON	OFF	OFF	OFF	ON
OFF	OFF	OFF	OFF	ON	ON	OFF	OFF	OFF	ON

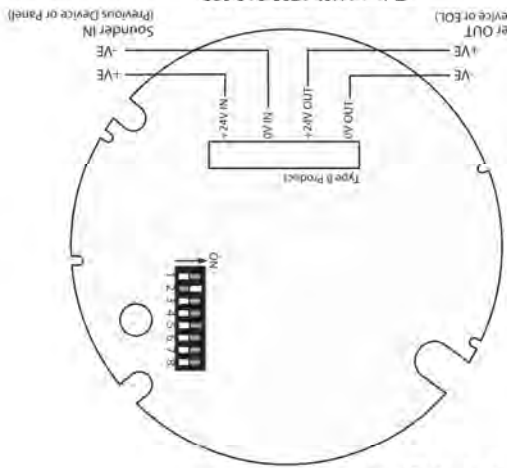
**Message Selection**

Note: Switches 3, 7 and 8 are not used and must be set to OFF position.

\*If used in conjunction with VM/C/xx/xx/05 then set product for 'Multi-Message Use' then set product for 'Multi-Message Use' upon DIL switch combination.

Volume Setting	Switch 1	Switch 2	0dB (Max Vol)	ON
-2dB	OFF	OFF	-2dB	OFF
-5dB	ON	ON	-5dB	ON
-8dB (Min Vol)	ON	ON	-8dB (Min Vol)	ON

**Connection Diagram**



Vimpex Limited  
Star Lane, Great Wakering  
Essex SS3 0PJ  
England  
Tel: +44(0) 1702 216 999  
Email: sales@vimpex.co.uk  
web:www.vimpex.co.uk